

T5 MASTER - T5 MASTER 4.0

THE EFFICIENT
AND ESSENTIAL DENTAL UNIT



LIFELONG DENTAL UNITS

VITALI

www.vitali.com



T5 MASTER

THE WINNING CHOICE FOR DENTAL PRACTICES WITH LIMITED SPACE

T5 MASTER is our dental unit that is highly appreciated for its solidity, reliability and excellent value for money. It is chosen by those who are looking for a compact and functional workstation, ideal for dental practices with limited space and is particularly suitable for all types of general dentistry work as well as for dental hygiene and prophylaxis. If you are looking for convenience and efficiency, **T5 MASTER** is the perfect solution for you.

BENEFITS SHARED BY ALL VITALI DENTAL UNITS

- Dental units designed to last a lifetime
- The result of the direct exchange of ideas with dentists and service technicians
- Careful attention to every detail to ensure total hygiene in the working environment
- Excellent working comfort for the dentist and nurse in the various operating positions
- Utmost comfort for the patient thanks to the anatomical shape of the **VITALI** chair
- Minimum incidence of service costs and thus low operating costs
- Customisable configuration to adapt the dental unit to your operating needs

GENERAL FEATURES OF VITALI DENTAL UNITS

- Possibility to set the operating parameters of instruments, lamp, chair and cuspidor
- Chair with three memory programmes and last position
- Size of the backrest and reduced chair base to ensure utmost ergonomics for the dentist and nurse
- Special treatment applied to ABS carters that protects the dental unit from any colour changes over time
- Smooth surfaces and no visible screws and external casings to facilitate sanitisation of all parts of the dental unit
- Maximum liftable weight: 180 kg
- Standard anti-tilt device that ensures utmost stability of the dental unit and makes floor anchoring unnecessary
- Five anti-crushing safety devices
- Electronic pedal for instruments, chair and lamp controls and recall of saved positions and functions



1 - 2 Anatomical headrest
articulated on two axes

3 - 4 Totally pneumatic anatomical 3D headrest, articulated on three axes

5 Anatomical backrest

6 Chair upholstery available in **memory foam** for maximum patient comfort (optional)

7 Multifunctional foot control available on request in the **wireless** version

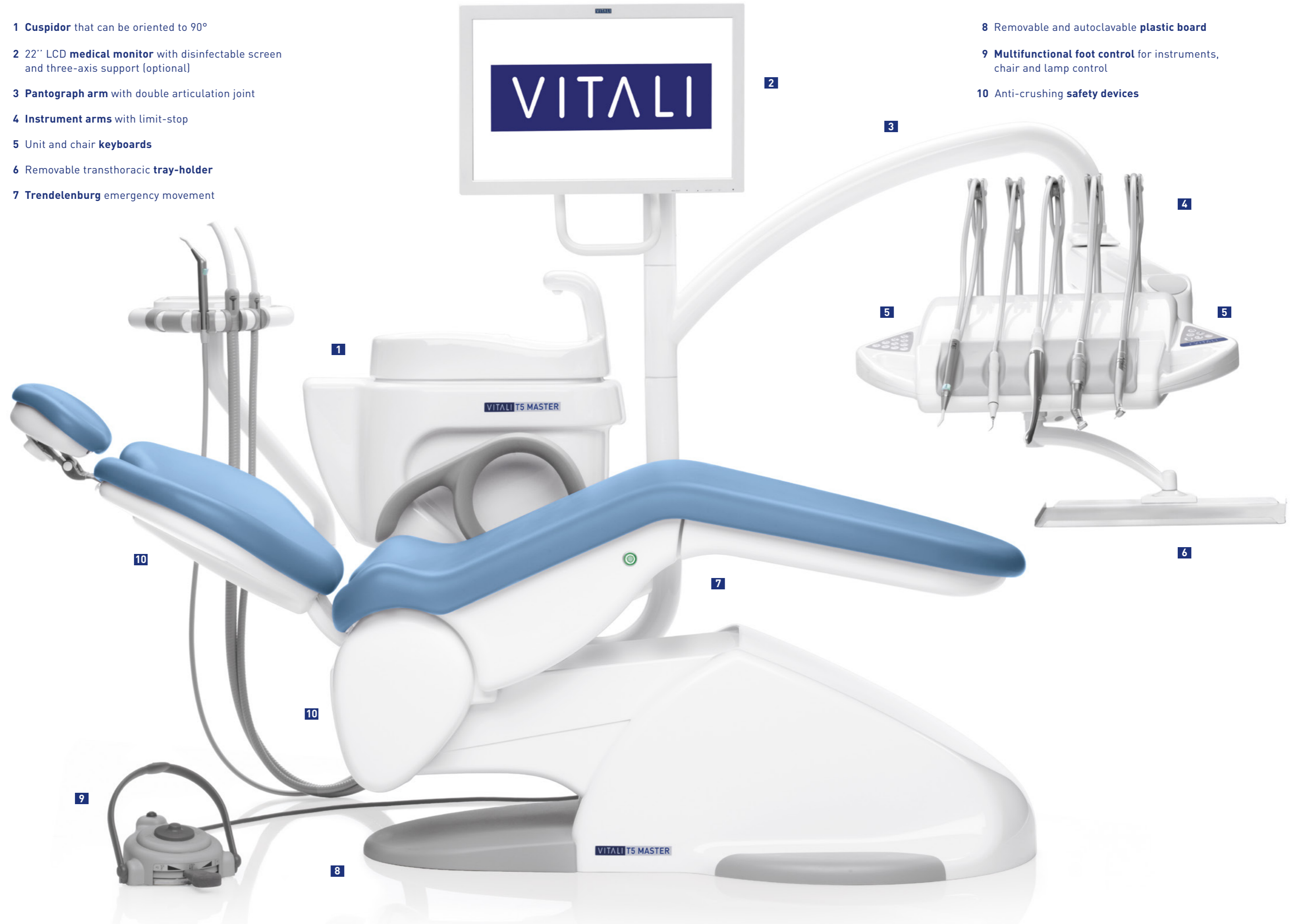
8 Folding right-hand armrest (optional)



T5 MASTER

- 1 **Cuspidor** that can be oriented to 90°
- 2 22" LCD **medical monitor** with disinfectable screen and three-axis support (optional)
- 3 **Pantograph arm** with double articulation joint
- 4 **Instrument arms** with limit-stop
- 5 Unit and chair **keyboards**
- 6 Removable transthoracic **tray-holder**
- 7 **Trendelenburg** emergency movement

- 8 Removable and autoclavable **plastic board**
- 9 **Multifunctional foot control** for instruments, chair and lamp control
- 10 Anti-crushing **safety devices**



T5 MASTER 4.0

THE NEW VERSION THAT IMPROVES FUNCTIONALITY AND AESTHETICS

T5 MASTER 4.0 differs from T5 MASTER for three aspects:

- the new cuspidor with its linear and functional design
- the new shape and size of the spittoon, which makes it easier to bring the patient closer during rinsing
- the new side carter opening system, which allows several devices to be integrated into the dental unit and also makes daily and weekly maintenance operations easier

THE ADVANTAGES OF CHOOSING T5 MASTER AND T5 MASTER 4.0

- Perfect combination of functionality, solidity, safety and comfort
- Small size that represents an ideal solution for dental practices with small spaces
- Ergonomically perfect workstation for two- and four-handed operations
- Highly profitable units thanks to their excellent purchase price/operating cost ratio

SPECIFIC FEATURES OF T5 MASTER AND T5 MASTER 4.0

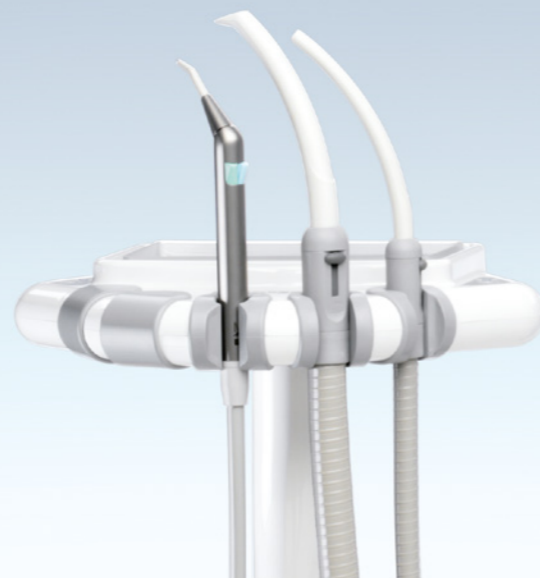
- Compact instrument table with double swivel joint for convenient positioning in different working positions
- Cuspidor that can be oriented to 90° for convenient four-handed operations
- Three different nurse's side console options also available on pantograph arm for vertical movement



1 Nurse's side console on articulated arm with general control keyboard



2 Five-lodging console on articulated arm with glass/spittoon controls



3 Nurse's side console installed on cuspidor with glass-spittoon controls



4 Support arm of nurse's side console with pantograph stroke



T5 MASTER 4.0

NEW DESIGN

MORE SPACIOUS CUSPIDOR

FOR EASY INTEGRATION
OF ADDITIONAL DEVICE

AND WITH PRACTICAL ACCESS

THANKS TO THE EASY OPENING
OF BOTH SIDE CARTERS



T5 MASTER - T5 MASTER 4.0

SIMPLICITY IN EVERY FUNCTION AND DETAIL

Simple operations for the dental team, thanks to the large working area and the ideal placement of instruments, which favour interaction and synchronisation.

The dentist can also rely on the special extension of instrument tubes (over 80 cm), while the nurse can approach the chair with greater freedom thanks to the 90° rotation of the cuspidor.

Simple management of functions through intuitive controls, with membrane keyboards that offer perfect sensitivity and immediate response.

Simple sanitisation with many removable and autoclavable elements, both on the instrument table and in the spittoon.

Simple and free configuration according to one's own operational needs, with cutting-edge tools for advanced performance, including innovative multimedia systems, with the possibility of integrating new accessories at any time.

Simple safety thanks to the VDS accessory device for a fully automated disinfection process.

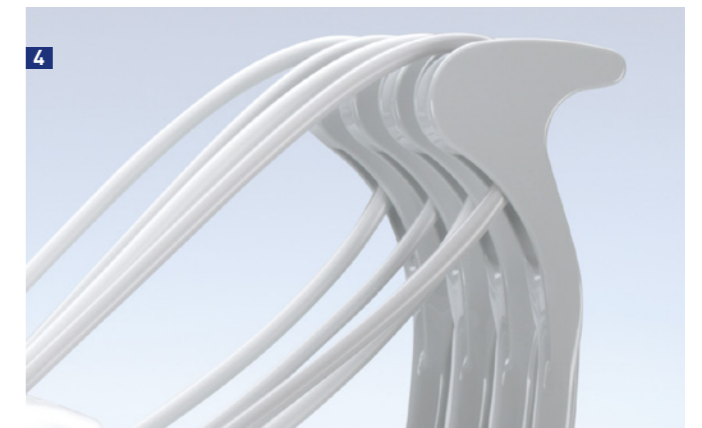
We use LED operating lamps for lighting, with a cold white light that is suitable for all treatments.

They are glare-free, silent, low-consumption, long-life, low-maintenance lamps.

The three models are: **MAIA** 35,000 Lux, **EVA** 50,000 Lux, **EVA THEIATECH** 50,000 Lux with preoperative light integrated in the arm.

All three lamps are operated both from the keyboard on the dentist's side and from the foot control.

PC keyboard integrated in the tray-holder that can be connected to the PC of the dental practice for convenient data management directly from the working position.

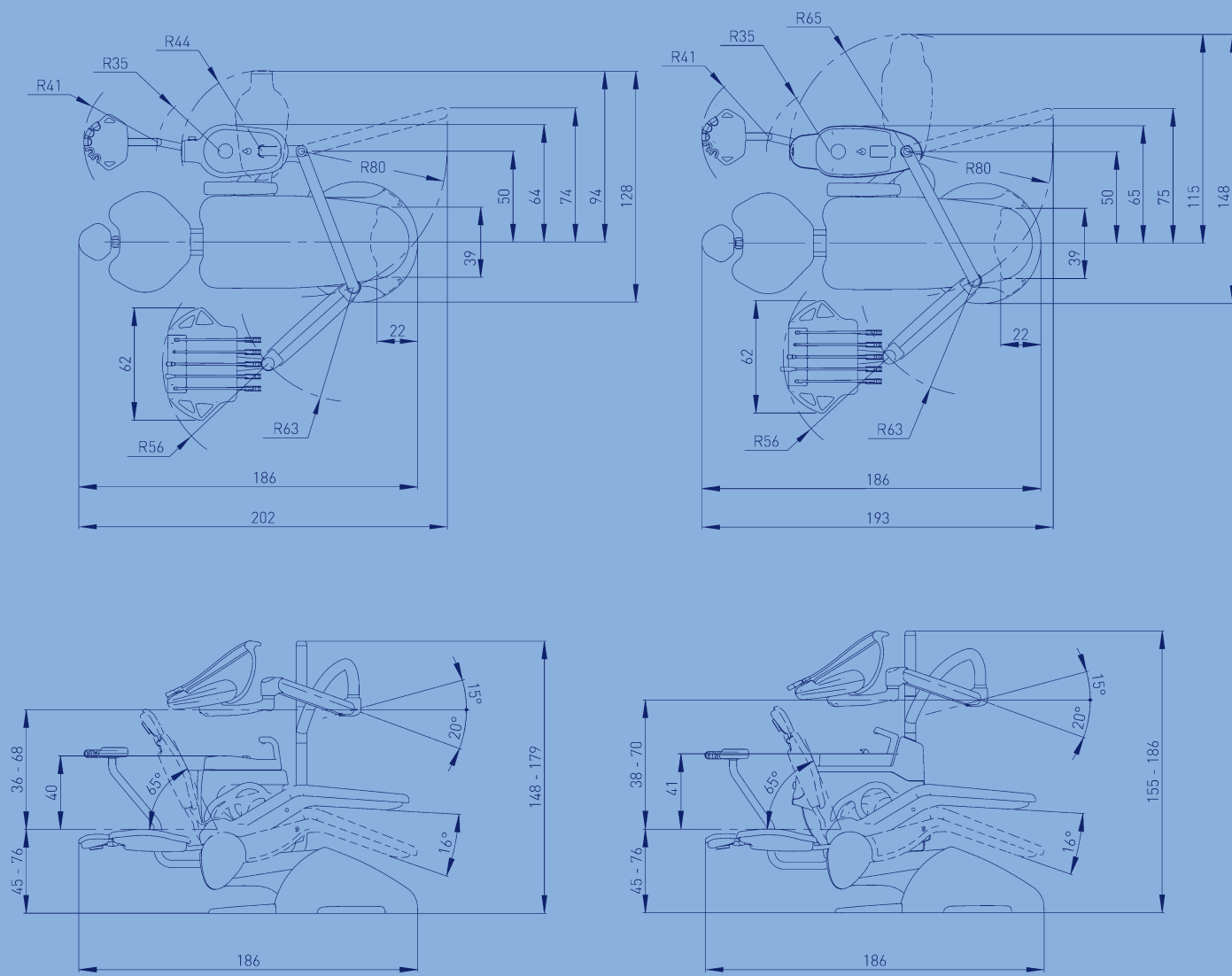


- 1 **VDS manifold** in standard position
- 2 Position of the **VDS manifold** if the spittoon draining valve is present
- 3 **VDS control keyboard**
- 4 **Instrument arms** with limit-stop
- 5 **PC keyboard integrated** in the tray-holder
- 6 **Bactericidal UV lamp**
- 7 Fully sanitisable ceramic **spittoon** with removable and autoclavable elements
- 8 **Removable and autoclavable elements** of the instrument table
- 9 **Independent supply** of sterile liquid to instruments

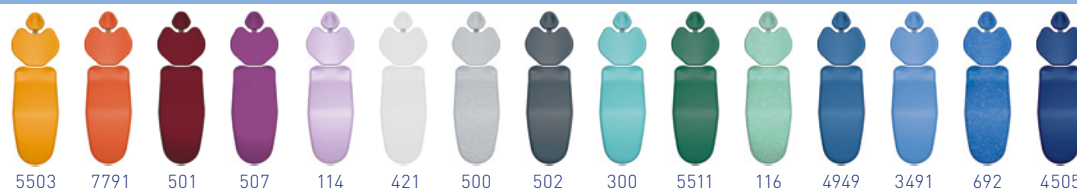


T5 MASTER - T5 MASTER 4.0

The images contain optional items. The company reserves the right to make changes to the products without notice.



GRAPHIC DESIGN STEFANIA GUERRA - COPY ALBERTO BUTTURINI - PHOTO STUDIO ABCDE - POST PRODUCTION IMAGE&COLOR - 10/22



LIFELONG DENTAL UNITS



www.vitali.com