

# CLEANING AND MAINTENANCE OF VITALI DENTAL UNITS

VITALI

# WHEN SANITATION/DISINFECTION IS RECOMMENDED



AT THE START  
OF THE DAY



BEFORE USE



AT THE END  
OF THE DAY



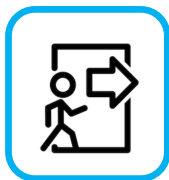
EVERY  
WEEK



EVERY TWO  
WEEKS



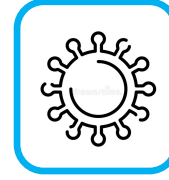
EVERY  
MONTH



AFTER EACH  
PATIENT



WHERE  
NECESSARY



AFTER A  
VULNERABLE  
PATIENT



BEFORE EACH  
SURGICAL  
OPERATION



ONCE  
A YEAR



EVERY  
TWO YEARS



AFTER  
A LONG  
BREAK

## IMPORTANT NOTICE

WHEN PERFORMING ANY SANITATION AND DISINFECTION OPERATION, IT IS CRUCIAL TO WEAR PERSONAL PROTECTION EQUIPMENT (PPE) AS REQUIRED BY APPLICABLE LAWS.



# 1. Suction

Remove any residue from the manifold filter and rinse it with water.  
**FIGURE 1 and 2**



Replace the manifold filter.



## How to wash suction tubes and circuits

Draw one litre of hot water (approx. 50°C) alternating the two cannulae.



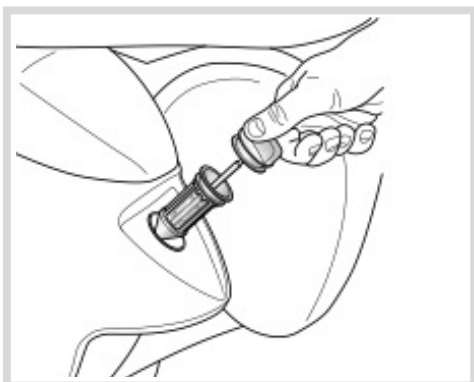
Then, using a disinfectant specifically designed for aspiration plants (Cattani, Durr, Metasys) according to its instructions for use, draw in the product by dipping and extracting alternately the two cannula tips until completely empty.



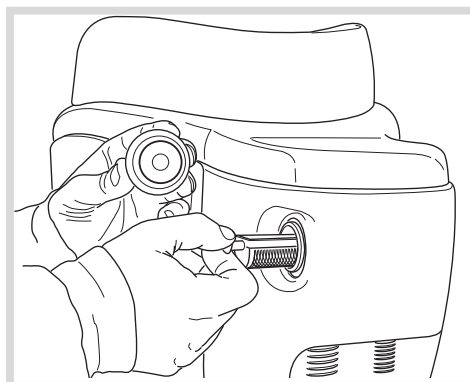
Remove the cannula-holder tips and sterilise in an autoclave. **FIGURE 3**



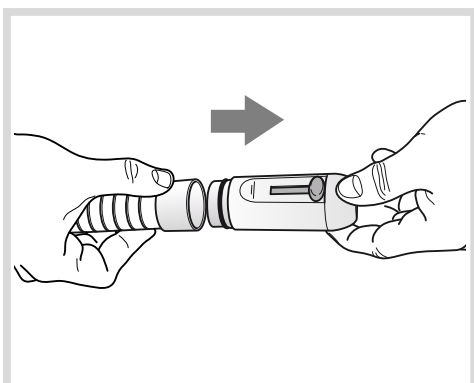
Replace the suction tubes.



**Figure 1**  
V8 TOUCH manifold filter



**Figure 2**  
T5 MASTER and T5 EVO PLUS manifold filter



**Figure 3**  
Cannula-holder tips

## In case of Cattani air/water separators

Clean the spittoon and probes in accordance with the manufacturer's instructions (Cattani). During its use, it is recommended to place anti-foam pads inside the manifold filter to avoid problems caused by foaming inside the separator. **FIGURE 4**



## In case of Metasys and Dürr amalgam separators

Clean the device in accordance with the manufacturer's instructions. **FIGURES 5 and 6**



Empty the amalgam container when the device signals that it is full.



## In case of a Dürr spittoon drain valve

Clean the filter and sanitize the device by pouring into the spittoon a suitable product recommended by the manufacturer (Dürr). **FIGURE 7**



**Figure 4**  
Cattani  
air/water  
separator



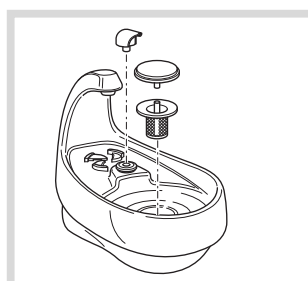
**Figure 5**  
Metasys  
amalgam  
separator



**Figure 6**  
Dürr  
amalgam  
separator



**Figure 7**  
Dürr spittoon  
drain valve



**Figure 8**  
Disassembly of the nozzle, filter  
and filter-cover of the spittoon

## 2. Spittoon

Remove any residue from the filter, rinse with water and sterilise in an autoclave.



Sterilise the spittoon rinse nozzle and filter-cover in an autoclave.



Rinse the spittoon with water and then disinfect it with Multiclean or with an alternative product (see operator's manual).



Replace the nozzle, filter and filter-cover of the spittoon. **FIGURE 8**



### 3. Instruments

For turbine handpieces, micromotors, contra-angle handpieces, syringes, scalers, cameras, polymerization lamps, and their respective inserts (optical fibers, milling cutters, tips), it is recommended:

To proceed with their cleaning and maintenance in accordance with the relevant manufacturer's instructions.



To proceed with the sterilisation of instruments for which it is established, in accordance with the relevant manufacturer's instructions.



To lubricate turbine handpieces and contra-angle handpieces in accordance with the relevant manufacturer's instructions.



To replace the micromotor O-ring.



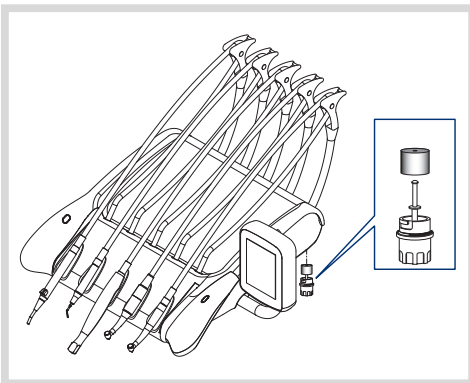
#### Instrument lubricant recovery unit

Drain any liquid, replace the filter if excessively wet (each unit is supplied with 5 replacement filters) **FIGURE 9**

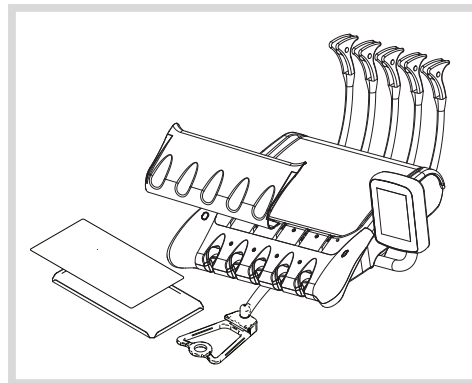


#### Silicon instruments holder and tray-holder protection

Rinse with water and then sterilise in an autoclave. **FIGURE 10**



**Figure 9**  
Instrument lubricant recovery unit



**Figure 10**  
Silicon instruments holder and tray-holder protection

### 4. External surfaces of the dental unit, tray-holder and chair

Disinfect the surfaces of the dental unit, the tray-holder and upholstery with Multiclean or an alternative product approved by VITALI.



In the case of persistent dirt, clean with water and mild soap: do not use aggressive chemicals and/or abrasive products.

## Removable chair base cover

Remove the chair base cover and disinfect it with Multiclean. **FIGURE 11**

In the case of persistent dirt, clean with water and mild soap: do not use aggressive and/or abrasive products.

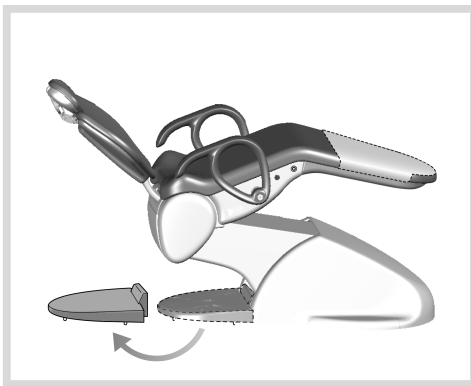


## Control keyboards

Protect with disposable protection. **FIGURE 12**



Disinfect with Multiclean or an alternative product approved by VITALI: do not use aggressive chemicals and/or abrasive products.



**Figure 11**  
Removal of the chair base cover



**Figure 12**  
Keyboard disposable protection

NB: the disinfectant must not be sprayed directly onto the surfaces and control keyboards. Failure to comply with this instruction might irreparably damage the device.

IMPORTANT NOTICE: this device is incompatible with anionic soaps and detergents, chlorides, carbonates, bicarbonates, other inorganic anions, ethanol, propanol, aldehydes, concentrated ethyl alcohol, phenolic derivatives, dyes of various kinds, chlorophenol.

## 5. Faro operating lamps

Proceed with the cleaning and maintenance of the device in accordance with the manufacturer's instructions (FARO).



## 6. Screen

Clean with disposable paper and Multiclean disinfectant or another product approved by VITALI.



NB: Do not spray the disinfectant directly onto the screen. Failure to comply with this instruction might irreparably damage the device.

## 7. Sanitising the water circuit of instruments

### Unit without clean water bottle for supplementary water supply to instruments

Carry out a washing cycle of the instruments' circuit by repeatedly activating the spray function of each instrument on the operator's table for at least two minutes.

NB: This operation must be carried out with all spray taps under the table, completely open

**FIGURE 13**

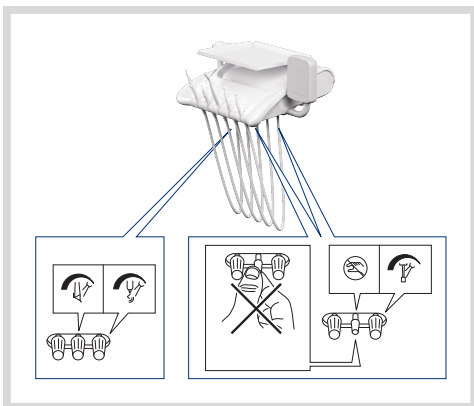


### Unit with clean water bottle for supplementary water supply to instruments

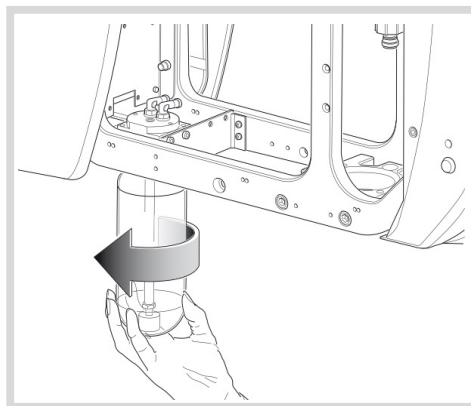
Remove any residual liquid from the clean water bottle (**FIGURE 14**), rinse with water and then fill with distilled water or a saline solution. Wash the duct of each instrument, one instrument at a time, completely opening the respective spray adjustment tap placed under the table (**FIGURE 13**) and spraying for at least 10 seconds. Once the operation has been completed, fill the bottle with Multiclean disinfectant (in case of a double bottle, fill only the one equipped with level control probe) and wash again. At the end, leave all the instruments to rest for 10 minutes to allow the disinfectant to work. Then remove any residual disinfectant from the bottle, fill both bottles with distilled water or a saline solution and wash again to eliminate the disinfectant from internal ducts (3 minutes for each instrument).



Replace the bottle (See Operator's Manual - Maintenance Chapter).



**Figure 13**  
Opening instrument taps



**Figure 14**  
Replacing the bottle

### Unit equipped with VDS (Vitali Disinfection System)

Remove any residual liquids from the clean water bottle, rinse with water and then fill with distilled water or a saline solution (in case of a double bottle, fill only the one equipped with level control probe). Wash the duct of each instrument, one instrument at a time, completely opening the respective spray adjustment tap placed under the table and spraying for at least 10 seconds.

**FIGURE 13**



Remove any residual liquids from the Multiclean bottle.

Perform the FAST disinfection cycle (5 min).

Perform the SLOW disinfection cycle (10 min).

Replace the bottles (see Operator's Manual - Maintenance Chapter).

Autoclave the cartridge of the sterilising air filter located in the connections area. **FIGURE 15 - A**

Replace the cartridge of the sterilising air filter located in the connections area every 12 months. **FIGURE 15 - A**

Check whether the control light with the UV lamp symbol is lit (see VDS Operator's Manual - Control panel chapter).

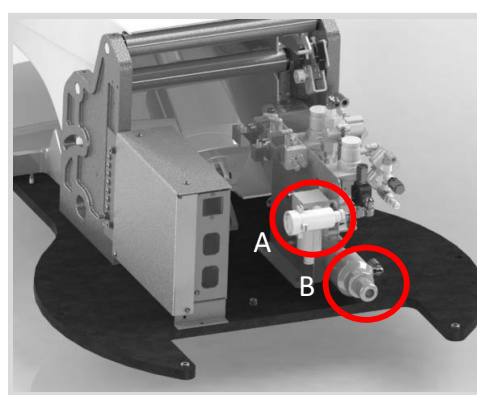
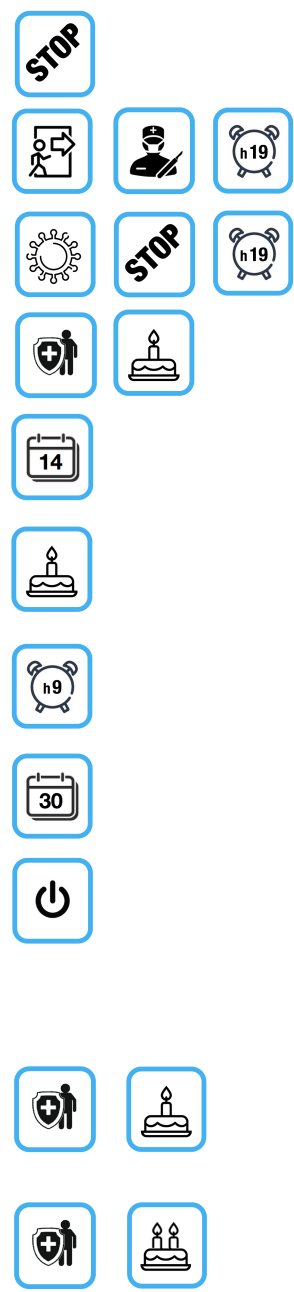


Check that the system is in good working order (see VDS Operator's Manual - Maintenance chapter).

Disinfect the instrument-holder manifold (**FIGURE 16**), the closing cap, the manifold-holder, if any (this applies where the dental unit is equipped with spittoon drain valve) and the syringe activation rings, using either Multiclean or an alternative product approved by VITALI. Do not use particularly aggressive chemicals or abrasive products.

Replace the O-ring of the UV lamp (this operation must be performed by an authorised technician). **FIGURE 15 - B**

Replace the UV lamp (this operation must be performed by an authorised technician). **FIGURE 15 - B**



**Figure 15**  
A - Sterilising filter B - UV lamp



**Figure 16**  
Instrument-holder manifold



## Unit with UV lamp kit only

Check that the lamp is in good working order by referring to its operating and maintenance manual.



Replace the O-ring of the UV lamp (this operation must be performed by an authorised technician). **FIGURE 15 - B**



Replace the UV lamp (this operation must be performed by an authorised technician). **FIGURE 15 - B**



## 8. Washing the glass / spittoon water circuit

Wash by activating three consecutive automatic glass-filling and spittoon-washing cycles.



## VITALI

### › DISINFECTING

MULTICLEAN is a Chlorhexidine digluconate and Benzalkonium chloride disinfecting solution active against Gram-positive and Gram-negative bacteria, fungi, HIV, HBV, HCV, lipophilic viruses as Adeno, Herpes, Vaccinia, Influenza. It can prevent mycobacteria multiplication and spores germination.

MULTICLEAN has been tested on a sample of Vitali units artificially contaminated with Streptococcus sanguis, Streptococcus salivarius, Streptococcus faecalis, Staphylococcus aureus, Bacillus subtilis, Escherichia coli, Pseudomonas aeruginosa, Candida albicans, Legionella pneumoniacae. It has been demonstrated that MULTICLEAN, after a 5 minutes contact, obtained a 98% reduction of the bacterial charge.

MULTICLEAN does not stain and does not corrode synthetic fabrics and plastic materials; it has a pleasant scent.

MULTICLEAN is indicated in dentistry in the time intervals between one patient and another, for the rapid disinfection of operative handpieces, instrument shelves, lamps, dental chairs, washbasins and water pipes of VITALI units.

The product is not compatible with anionic soaps and detergents, chlorides, carbonates, bicarbonates and other inorganic anionics.

Multiclean is ready to use and is supplied in practical bottles of 1000 ml.

A bottle is included in the standard accessories of each dental unit.

As regards the period of validity of the product, refer to the date on the product label.



For the disinfection of the unit water pipes, MULTICLEAN must be used exclusively together with VITALI VDS disinfection integrated system. For such use see the relevant maintenance manual.

For further information on the treatment and use of MULTICLEAN, please refer to the relative Safety Cards and Technical Sheet which are available upon request.